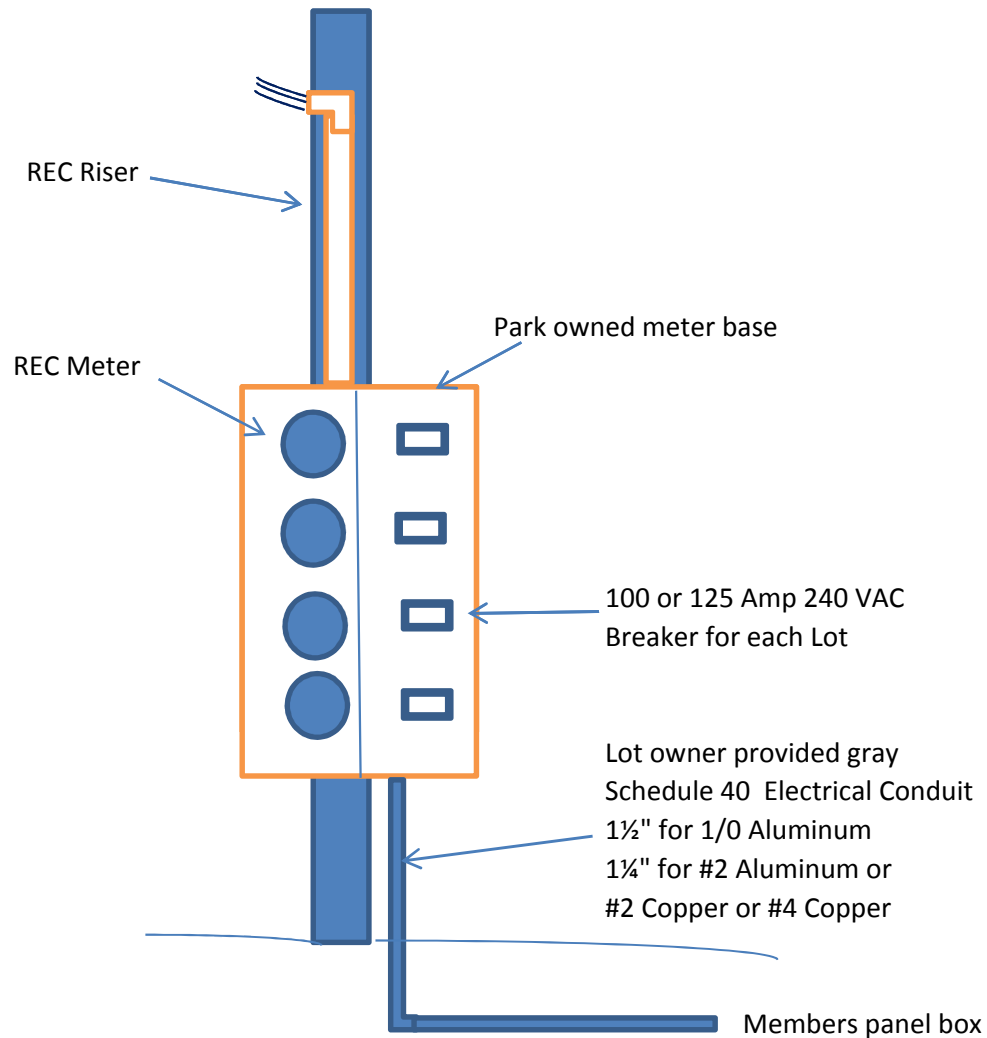


WILDRIDGE CONVERSION FROM PARK TO REC ELECTRIC DIAGRAM

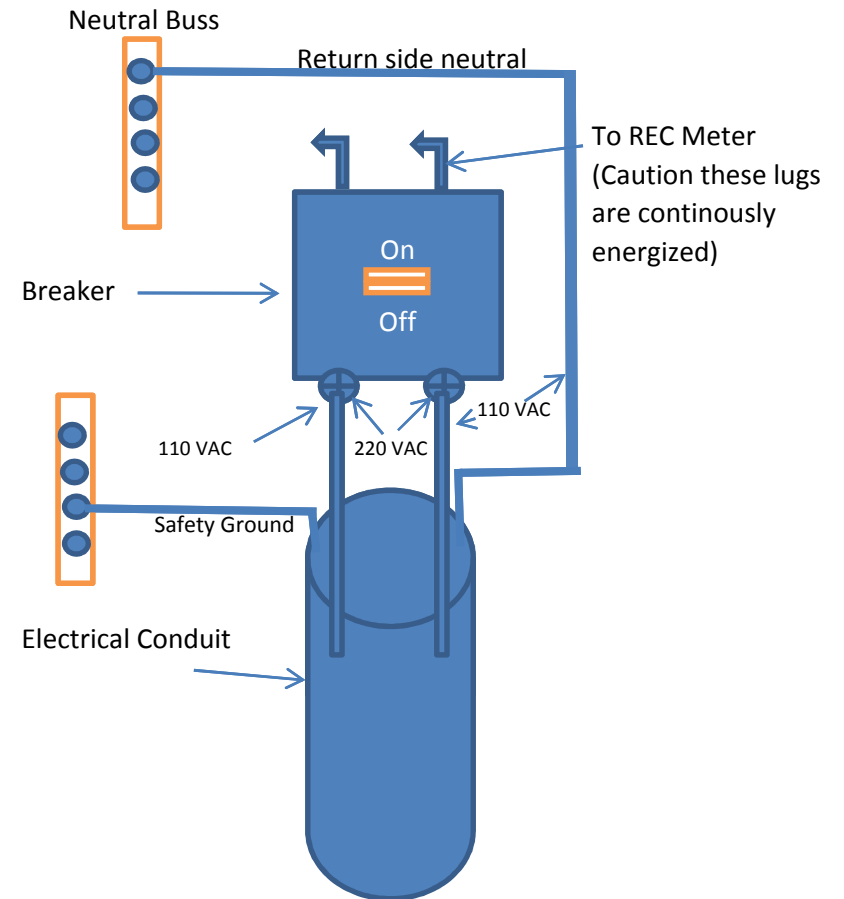


All wiring from breaker is the responsibility of the member.

Refer all questions to Manager or consult a qualified Electrician.

All new connections must be inspected by a representative of the WildRidge Electrical Committee before Dubois REC can set the meter

All wiring is required to be installed in schedule 40 electrical PVC



100 Amp - Use # 4 Copper or # 2 Aluminum
125 Amp - Use # 2 Copper or 1/0 Aluminum

3-Wire connections must be grounded at customer equipment box use # 6 wire attached to 8' ground rod.

4-Wire connections must be grounded at REC meter base then terminated at members breaker panel.